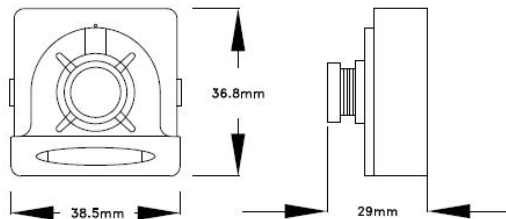


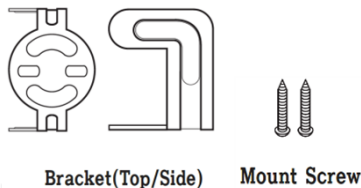
CAUTION : TO REDUCE THE RISK OF ELECTRIC SHOCK,
DO NOT REMOVE COVER
NOT USER SERVICEABLE PARTS INSIDE
REFER SERVICING TO QUALIFIED SERVICE PERSONNEL

Dimensions

Part name & Dimension



Accessories



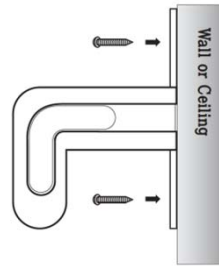
Bracket(Top/Side) Mount Screw

Mode change

- CVBS Mode : Push to LEFT joystick for 5 seconds
- AHD Mode : Push to RIGHT joystick for 5 seconds
- CVI Mode : Push to UP joystick for 5 seconds
- TVI Mode : Push to DOWN joystick for 5 seconds

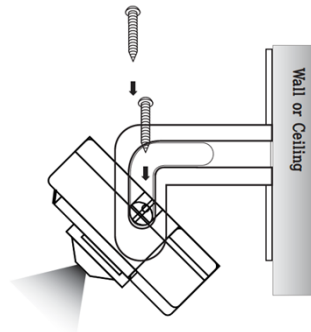
Installation

Step.1



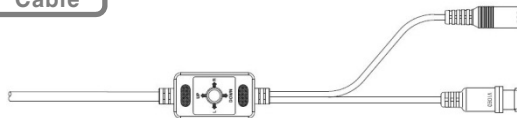
Fixing bracket at desired place

Step.2



Fix the camera on the bracket with screws

Cable



Features

- 1/2.8" Sony Exmor CMOS image sensor
- Full HD (1920x1080) Resolution
- Auto Compensation & Long range transmission
- Excellent Low illumination performance
- 3.6mm megapixel fixed lens
- 3D DNR (Digital Noise Reduction)
- UTC (OSD via coaxial cable)
- SENS-UP
- D-WDR (Digital Wide Dynamic Range)
- DC12V

Specifications

Image Sensor	1/2.8" Sony Exmor CMOS image sensor
Resolution	1080P
Scanning System	Progressive
Video Output	Universal AHD, CVI, TVI: 1080P, 720P Analog: NTSC/ PAL CVBS
S/N Ratio	More than 50dB (AGC off)
Min. Illumination	0.5 lux
D-WDR	Off/0~8
SENS-UP	Off/X2 - X30
Backlight	Off/BLC/HSBLC
DNR	Off/Low/Middle/High
Privacy Mask	4 Masks
Motion Detection	Off/On
Power Source	DC12V ±10%
Power Consumption	Max 2.0 Watt
Operating Temperature	-10℃ to 50℃
Operating Humidity	10% to 85%
Lens	3.6mm megapixel fixed lens
Dimension/mm	38.5(W) x 20.2(D) x 36.8(H)
Weight/g	35

CAUTION! Please use regulated power supply DC12V 300mA
Reverse Polarity Protection

All specification and pictures are subject to change without notice to improve quality.

MENU SETTING

(Rev. 0.1)

MENU	SUB MENU AND DEFAULT SETTING			
LENS	DC	MODE	INDOOR	MIN SHU. 1/30
			OUTDOOR	MAX SHU. 1/60, FLK, 1/240, 1/480, 1/1000, 1/2000, 1/5000, 1/10000, 1/50000
			IRIS SPEED	0-15
EXPOSURE	MANUAL			
	SHUTTER (AUTO)	AUTO, 1/30, 1/60, FLK, 1/240, 1/480, 1/1000, 1/2000, 1/5000, 1/10000, 1/50000, X2, X4, X6, X8, X10, X15, X20, X25, X30		
	AGC	1-15		
	SENS-UP (OFF)	OFF		
	BRIGHTNESS	AUTO X2, X4, X6, X8, X10, X15, X20, X25, X30		
	D-WDR	OFF		
	DEFOG	ON	LEVEL	0-8
		OFF	GRADATION	0-2
		AUTO	POS/SIZE	DEFAULT
	BACK LIGHT (OFF)	OFF		
BLC		LEVEL	LOW,MIDDLE,HIGH	
		AREA	DEFAULT	
HSBLC		SELECT	AREA1-4	
		DISPLAY	OFF,ON	
		BLACKMASK	ON,OFF	
		LEVEL	0-100	
		MODE	ALL DAY	
		NIGHT	AGC LEVEL	0-255
DEFAULT				
WHITE BAL (ATW)	ATW			
	AWC→SET			
	INDOOR			
	OUTDOOR			
	MANUAL	BLUE	0-100	
RED	0-100			
AWB				
DAY NIGHT (AUTO)	AUTO	D > N (CDS)	0-255	
		D > N (DELAY)	0-60	
		N > D (CDS)	0-249	
		N > D (DELAY)	0-60	
	COLOR			
	BW	BURST	ON, OFF	
		IR SMART	ON	LEVEL 0-15
	EXT	D>N	0-80	
		N>D	0-60	
	NR	2DNR	OFF,LOW,MIDDLE,HIGH	
3DNR		OFF,LOW,MIDDLE,HIGH		

*Depending on setting of sub menu, the default value may be changed.

MENU	SUB MENU AND DEFAULT SETTING				
SPECIAL	CAM TLTLE	OFF,ON			
		FREEZE	ON,OFF		
		MIRROR	OFF, MIRROR, V-FLIP, ROTATE		
	D-EFFECT	NEG. IMAGE	OFF, ON		
		SELECT	AREA 1-4		
		DISPLAY	ON,OFF		
	MOTION	SENSITIVITY	0-100		
		COLOR	GREEN,BLUE,WHITE,RED		
		TRANS	1.00, 0.75, 0.25, 0.00		
		ALRAM	VIEW TYPE	ALL,OFF,BLOCK,OUT LINE	
			OSD VIEW	ON, OFF	
			ALRAM OUT	OFF, ON	
			ALRAM SIG	LOW,HIGH	
		TIME	0-15		
		DEFAULT	OFF		
		PRIVACY	ON	SELECT	AREA1-4
	DISPLAY			OFF, COLOR, MOSAIC, INV.	
	COLOR			WHITE,BLACK,RED,BLUE, YELLOW,GREEN,CYAN, YSER	
	TRANS			1.00,0.75,0.50,0.25	
	DEFAULT				
LANGUAGE	ENG, CHN1, CHN2, GER, FRA, ITA, SPA, POL, RUS, POR, NED, TUR, KOR, JPN				
DEFECT	LIVE DPC	OFF			
		ON	AGC LEVEL	0-255	
	WHITE DPC	POS/SIZE			
		START			
		DPC VIEW	OFF,ON		
		LEVEL	0-100		
		AGC	0-14		
		SENS-UP	X2,X4,X6,X8,X10, X15,X20,X25,X30		
	BLACK DPC	POS/SIZE			
		START			
DPC VIEW		ON, OFF			
LEVEL	0-100				
RS-485	CAM ID	0-255			
	ID DISPLAY	OFF,ON			
	BAUDRATE	2400,4800,9600,19200,38400			

*Depending on setting of sub menu, the default value may be changed.

MENU	SUB MENU AND DEFAULT SETTING				
AD JUST	SHARPNESS	AUTO	LEVEL	0-10	
			START AGC	0-255	
			END AGC	0-255	
	MONITOR	LCD	OFF		
			GAMMA	USER,0.45-1.00	
			BLUE GAIN	0-100	
			RED GAIN	0-100	
			BLUE GAIN	0-100	
			RED GAIN	0-100	
	LSC	OFF, ON			
VIDEO. OUT	NTSC, PAL				
MONITOR OUT	CVBS, AHD, THD, CHD				
IR LED	ON, OFF				
EXIT	SAVE&END,RESET,NOT SAVE				

*Factory set value of the 'SHUTTER' is that '1/60(50)' for indoor and 'AUTO' for outdoor. (You can change the SHUTTER setting value according to the installation circumstances as above.)

*Depending on setting of sub menu, the default value may be changed.